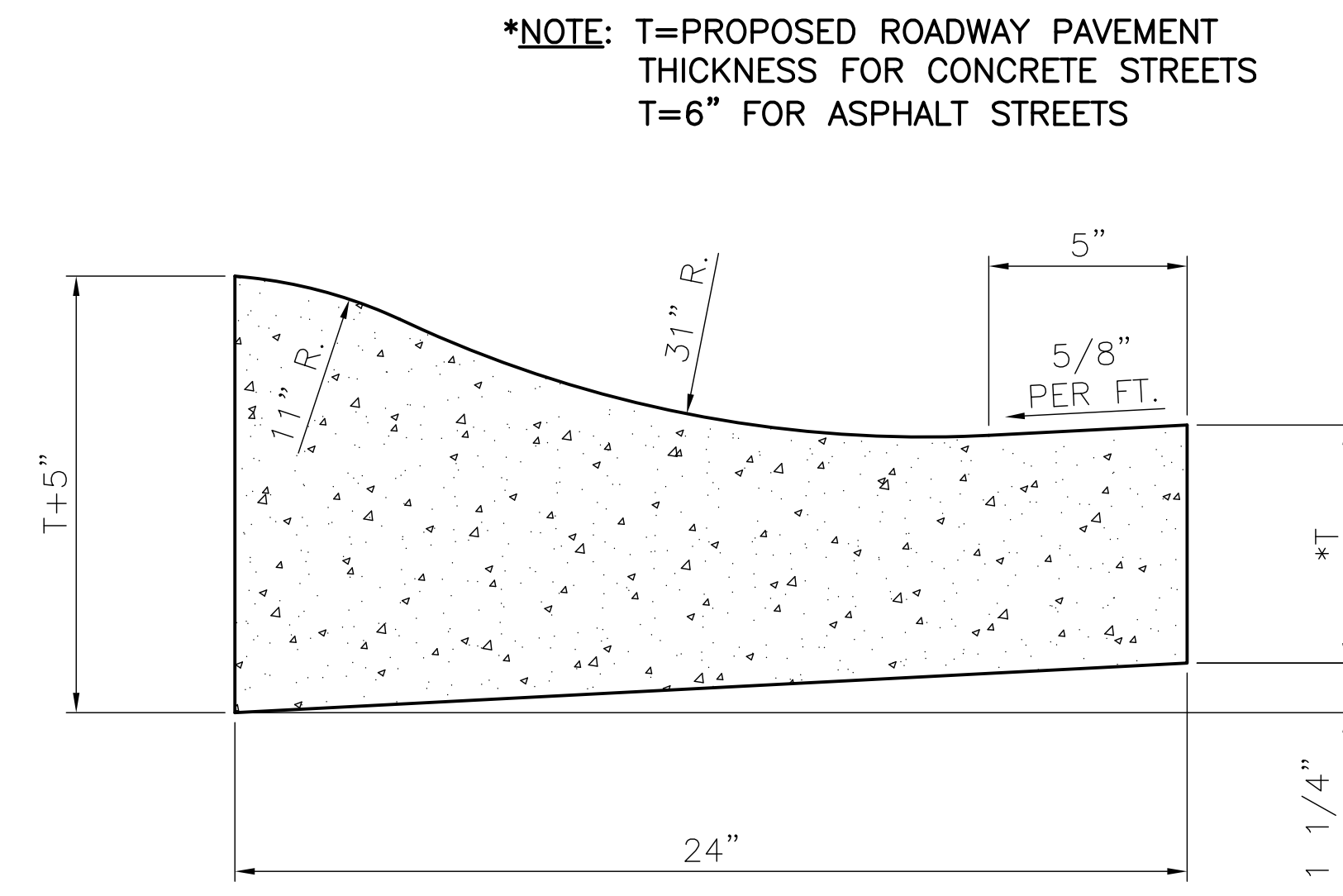


STRAIGHT CURB
(TYPE C-1)

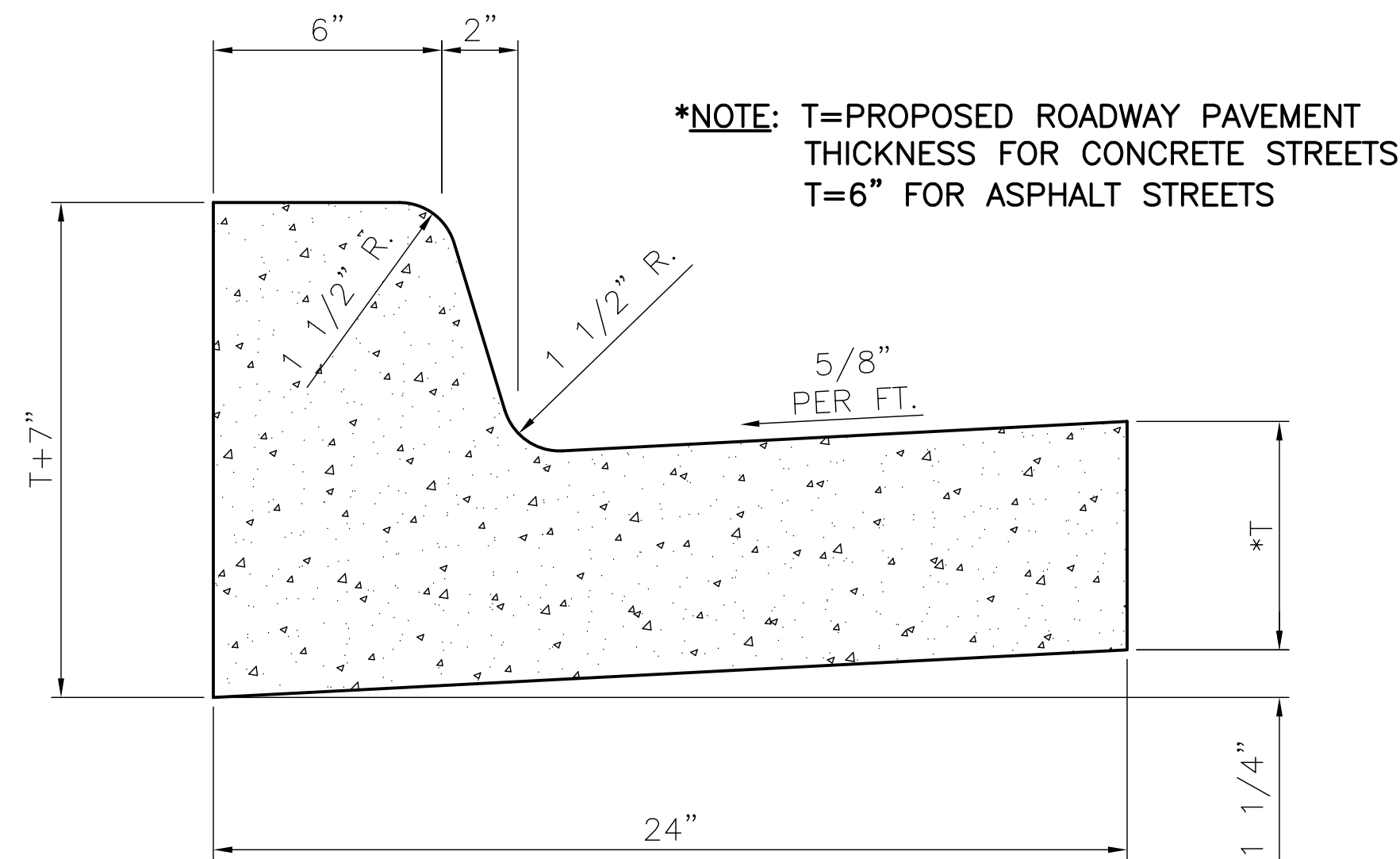


ROLL BACK CURB AND GUTTER
(TYPE CG-2)

*NOTE: T=PROPOSED ROADWAY PAVEMENT THICKNESS FOR CONCRETE STREETS
T=6" FOR ASPHALT STREETS

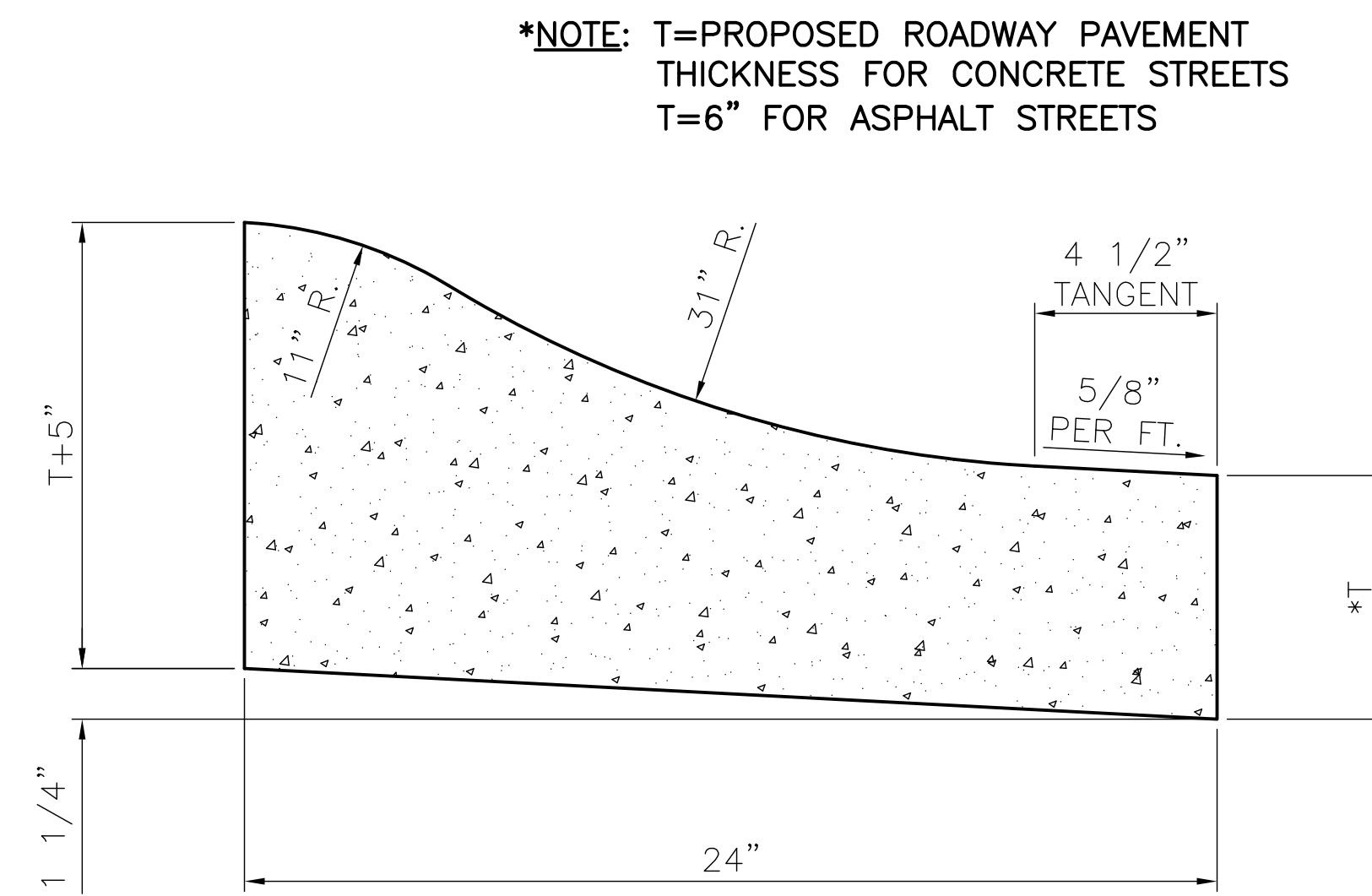
CURB AND GUTTER GENERAL NOTES

- 1 TYPE CG-2 OR CG-2 DRY ROLL BACK CURB AND GUTTER MAY BE USED ONLY ON RESIDENTIAL STREETS. CURB CUTS FOR DRIVEWAYS ARE NOT REQUIRED WITH ROLL BACK CURB AND GUTTER.
2. INSTALL JOINTS IN ACCORDANCE WITH STANDARD SPECIFICATIONS.
3. CONCRETE SHALL CONFORM TO STANDARD SPECIFICATIONS, SECTION 2000.
4. ASPHALTIC CONCRETE SURFACE COURSE SHALL CONFORM TO STANDARD SPECIFICATIONS, SECTION 1300.
5. PAVEMENT REMOVAL AND REPLACEMENT BEYOND THE LIMITS OF CURB AND GUTTER REMOVAL IS AT THE CONTRACTOR'S OPTION AND COST.



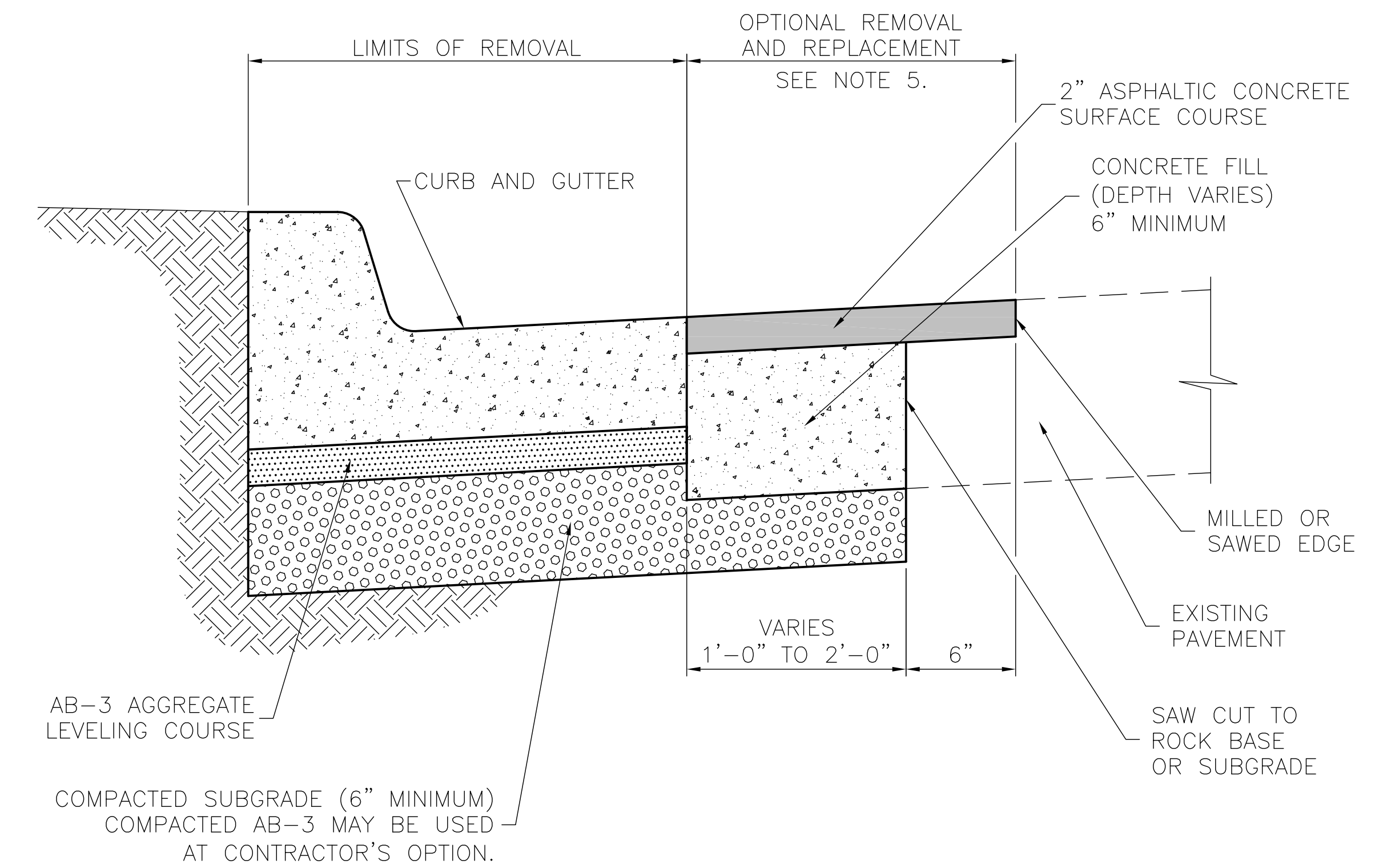
STRAIGHT BACK CURB AND GUTTER
(TYPE CG-1)

*NOTE: T=PROPOSED ROADWAY PAVEMENT THICKNESS FOR CONCRETE STREETS
T=6" FOR ASPHALT STREETS



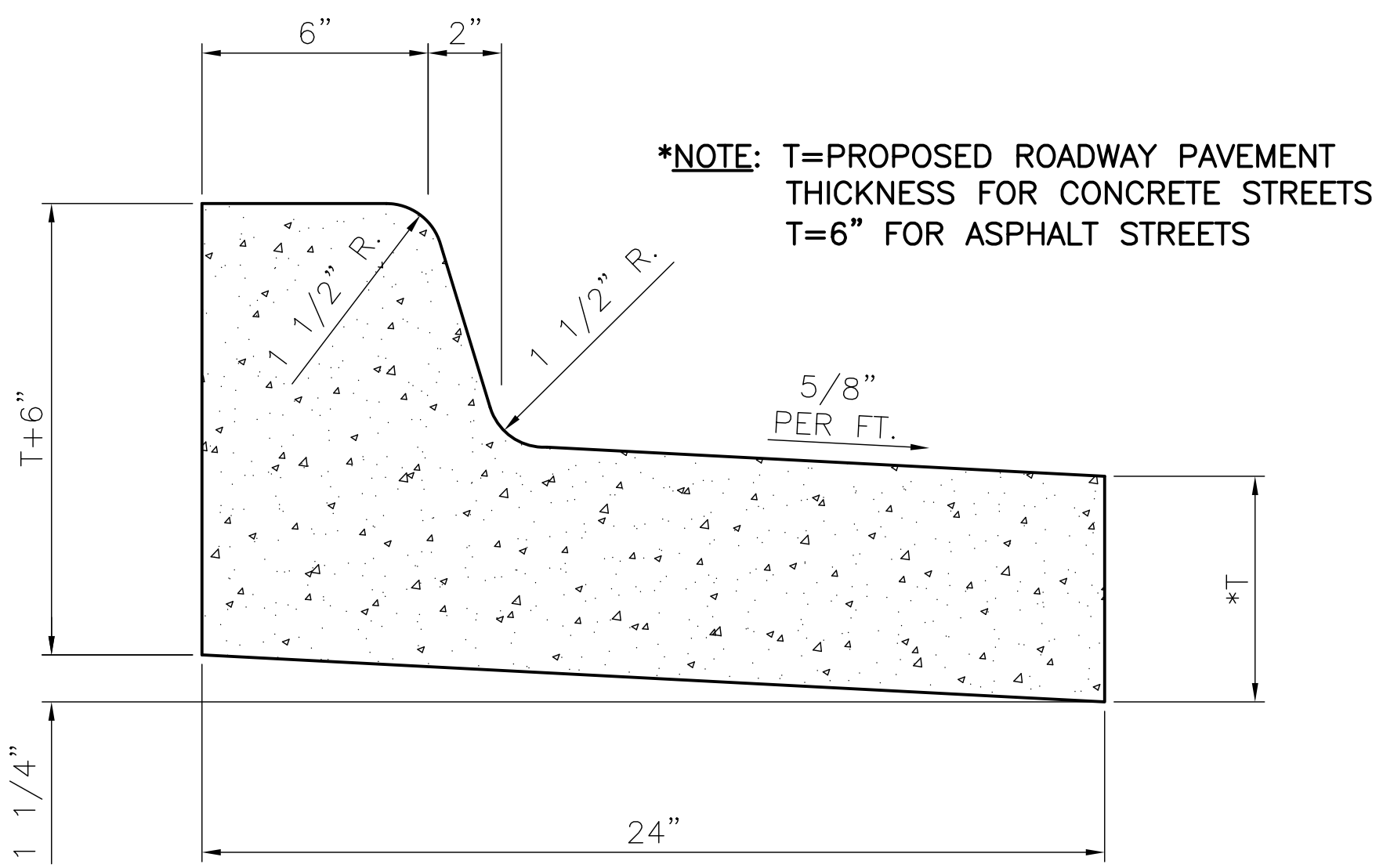
ROLL BACK CURB AND GUTTER
(TYPE CG-2, DRY)

*NOTE: T=PROPOSED ROADWAY PAVEMENT THICKNESS FOR CONCRETE STREETS
T=6" FOR ASPHALT STREETS



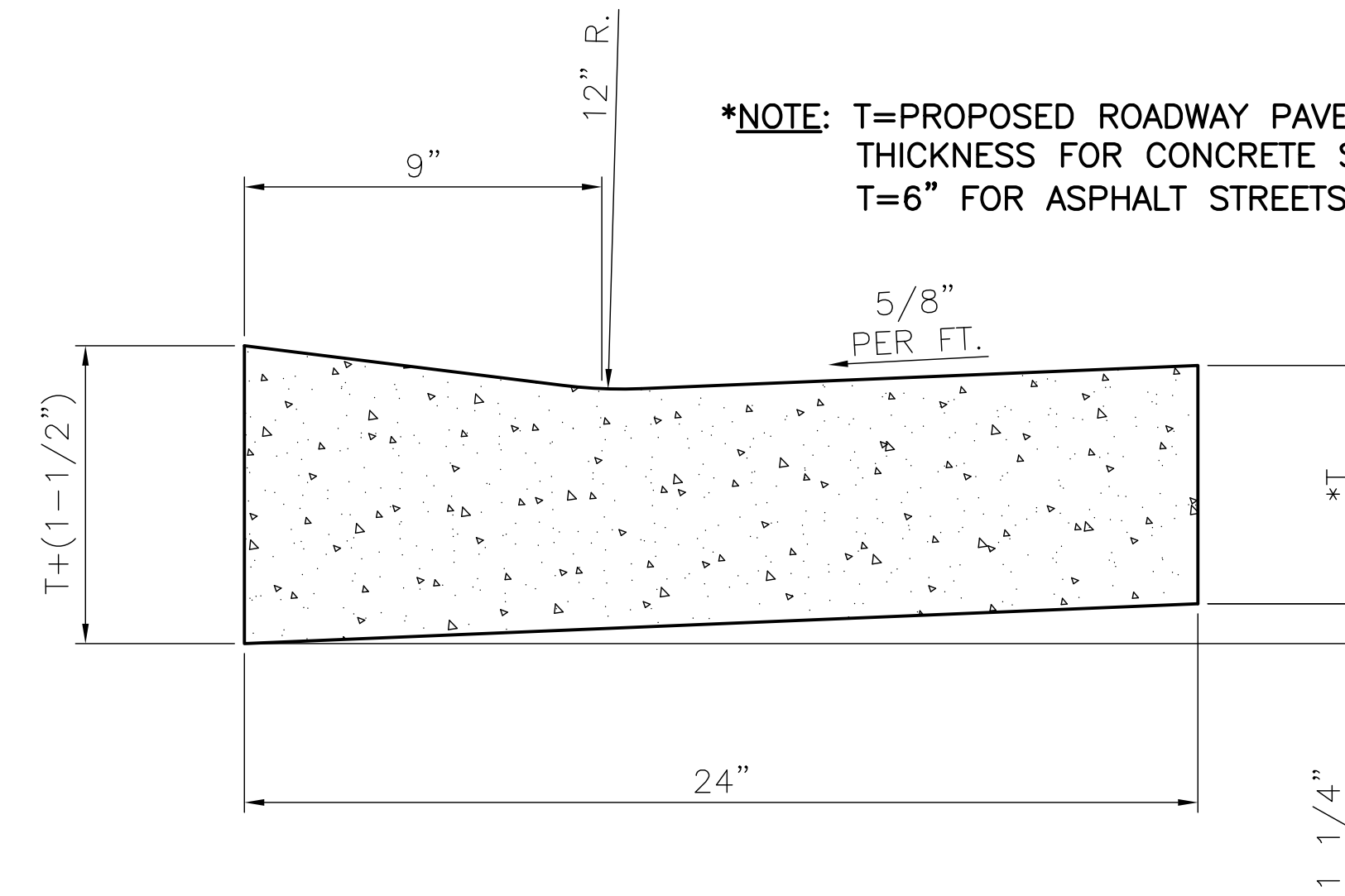
CURB REPLACEMENT DETAIL

(NOTE: TO BE USED ONLY WHEN EXISTING CURB AND GUTTER IS REMOVED AND REPLACED, BUT STREET PAVEMENT REMAINS IN PLACE)



STRAIGHT BACK DRY CURB AND GUTTER
(TYPE CG-1, DRY)

*NOTE: T=PROPOSED ROADWAY PAVEMENT THICKNESS FOR CONCRETE STREETS
T=6" FOR ASPHALT STREETS



CURB AND GUTTER THROUGH DRIVEWAYS AND ACCESS RAMPS
(TYPE CG-3)

*NOTE: T=PROPOSED ROADWAY PAVEMENT THICKNESS FOR CONCRETE STREETS
T=6" FOR ASPHALT STREETS

SHEET _____ OF _____

DATE	BY	REVISION
09-10-09	LJM	REPLACES ALL PREVIOUS VERSIONS OF CONCRETE CURB AND GUTTER DETAILS
07-22-09	LJM	DETAILS REVISED
06-09-09	LJM	DETAILS REVISED
04-03-09	LJM	DETAILS REVISED
03-25-09	LJM	DETAILS REVISED



STANDARD DETAILS FOR CONCRETE CURB AND GUTTER

SHOEB M. UDDIN CITY ENGINEER DAVID L. CORLISS CITY MANAGER