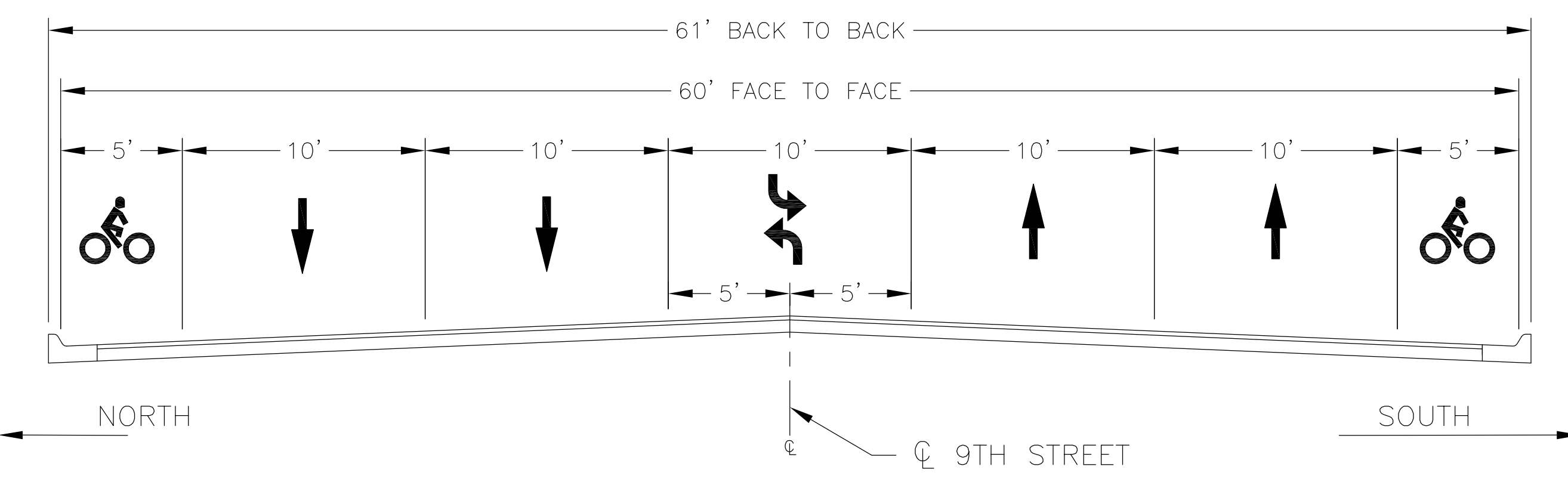
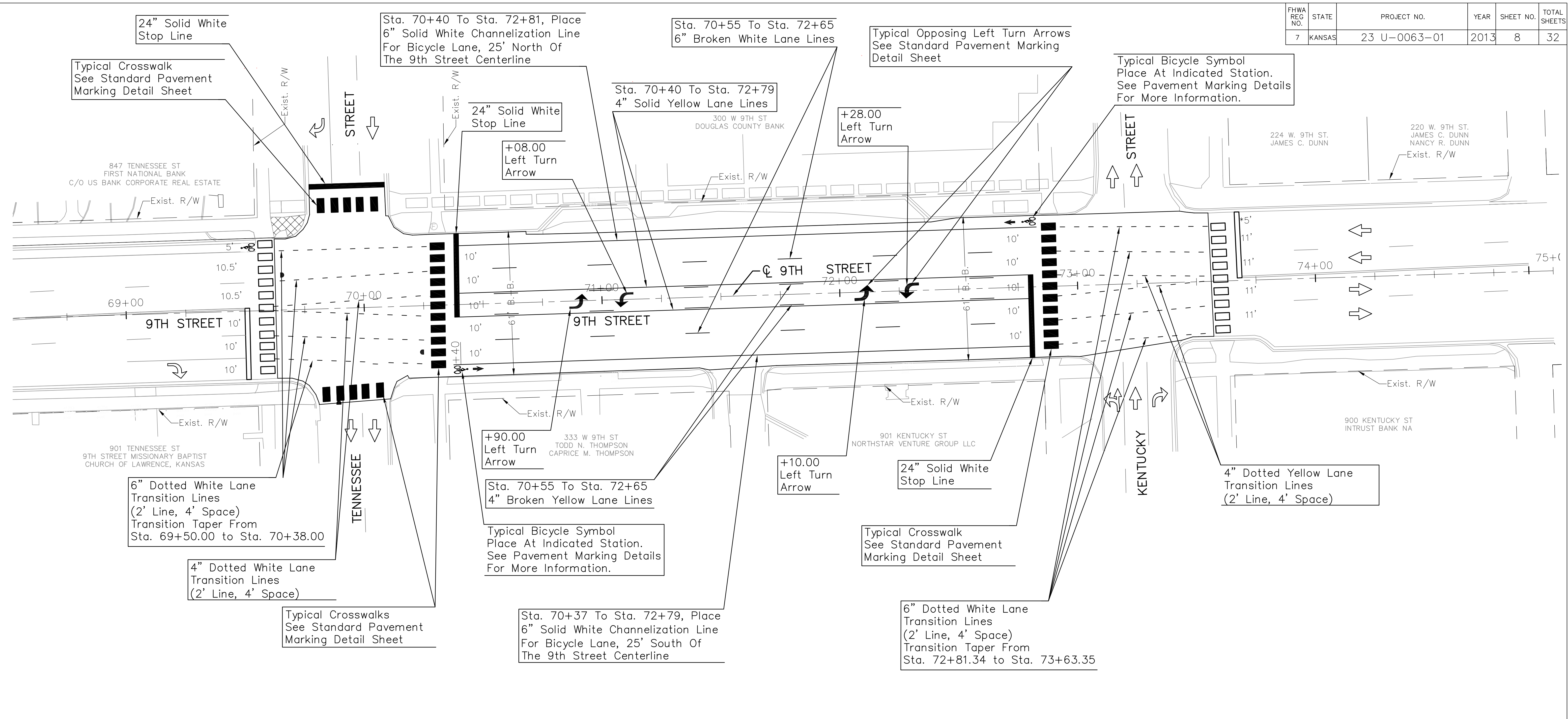
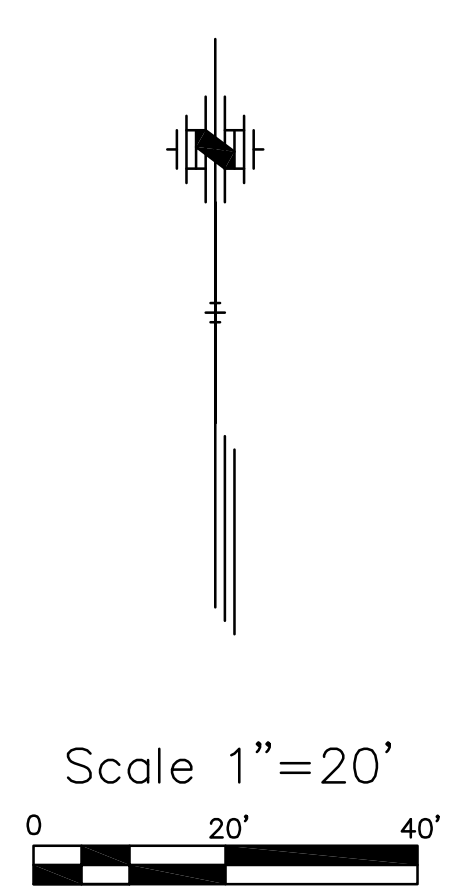


FHWA REG. NO.	STATE	PROJECT NO.	YEAR	SHEET NO.	TOTAL SHEETS
7	KANSAS	23 U-0063-01	2013	8	32



Construction Notes:

1. Stop Lines Are To Be Placed 4 Feet Behind Crosswalk Lines. See Pavement Marking Details On Sheet 9.
2. See City of Lawrence Specifications For Pavement Markings.



Drawn By \$\$\$USERNAME\$\$\$ Plotted \$\$\$SYTIME\$\$\$
 File \$\$\$DGN\$SPEC\$\$\$ \$\$\$KDOTGRP\$\$\$

KANSAS DEPARTMENT OF TRANSPORTATION					
PAVEMENT MARKING PLAN ON 9TH STREET, BETWEEN TENNESSEE ST. AND KENTUCKY ST. LAWRENCE, DOUGLAS COUNTY, KANSAS					
DESIGNED	ZDB	DETAILED	ZDB	QUANTITIES	TRACED
DESIGN CK.	DPC	DETAIL CK.	DPC	QUAN. CK.	TRACE CK.
1	7/24/12	Current Version	ZDB	DPC	
NO.	DATE	REVISIONS	BY	APP'D	