

Lawrence Freenet

A Community Connection

January 19th, 2009

Diane Stoddard
Assistant City Manager
The City of Lawrence
PO Box 708
Lawrence, KS 66044

RECEIVED

JAN 20 2009

CITY MANAGERS OFFICE
LAWRENCE, KS

Dear Dianne,

We thought that we'd save some time and effort by providing a dummy unit for your staff to examine. This unit is the same physical size and weight as all of our street level equipment, but it does not have any electronic components installed.

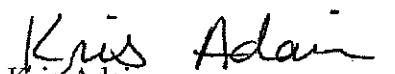
As for the power requirements, our units consume 7 Watts of continuous power. This is roughly ½ the energy consumption of a Compact Florescent Light-bulb. We have had more than 550 of these units in operation for over the past two years and have a perfect safety record. Our units have survived direct lightning strikes, tree branch strikes, 90+ MPH winds, power surges, car accidents and other significant traumas without incident.

There are several significant differences between our proposed installation and the one that we abandoned two years ago (which is attached for your convenience).

1. We no longer require the installation of an 18" square enclosure for battery power.
2. We no longer require the installation of a side arm on the pole.
3. We no longer require any internal wiring at the site.
4. We no longer require a separate antenna, mount, cable, etc.

Basically the proposed installation is simple. We strap the provided unit to the pole and plug it in. The units are low profile, especially when they are attached 30' up and they are capable of providing service to the thousands of Lawrence residents who choose to use the service in the downtown area.

Thank you,


Kris Adair
Treasurer
The Lawrence Freenet Project
P.O. Box 3532
4105 W. 6th St.
Lawrence, KS 66046
Ph: (785) 371-4214 Ext 8002
kris.adair@lawrencefreenet.org



APPLICATION FORM

(Type or Print)

**Lawrence Douglas County
Metropolitan Planning Office**
6 East 6th Street, P.O. Box 708, Lawrence, KS 66044
(785) 832-3150 Fax (785) 832-3160
<http://www.lawrenceplanning.org>

Project Name & Description Lawrence Freenet Downtown Installation		Total Site Acreage N/A	Present Zoning
Legal Description (May be attached as separate sheet)		Proposed Zoning	
Project Address/General Location Corners of 7 th , 8 th , 9 th , 10 th , 11 th and Mass		Presubmittal [] Planner [] Date	
Property Owner's Name The City of Lawrence	Phone () -	Fax () -	
Property Owner's Address	City	State	Zip
Applicant's Name (if different from above) Lawrence Freenet	Phone (785) 331-2086	Fax (918) 809-5693	
Applicant's Address P.O. Box 3532 Lawrence, KS 66046	City	State	Zip
Applicant's Mobile Phone or Pager (785) 840-6155	Property Owner and/or Applicant's E-mail Address		

APPLICATION TYPE

<input type="checkbox"/> Site Plan <input type="checkbox"/> Lawrence <input type="checkbox"/> Douglas County (unincorporated)* <input type="checkbox"/> Use Permitted Upon Review (Submit Sheet A) <input type="checkbox"/> Conditional Use Permit (Submit Sheet A)* <input type="checkbox"/> (Re)Zoning (Submit Sheet A) <input type="checkbox"/> Lawrence <input type="checkbox"/> Douglas County <input type="checkbox"/> Annexation (Submit Sheet B) <input type="checkbox"/> Historic Resources Commission Review (Submit Sheet H) <input type="checkbox"/> Variance (Submit Sheet V)	<input type="checkbox"/> Preliminary Development Plan (Submit Sheet A) <input type="checkbox"/> PRD <input type="checkbox"/> PCD <input type="checkbox"/> PID <input type="checkbox"/> POD <input type="checkbox"/> Final Development Plan (Submit Sheet A) <input type="checkbox"/> PRD <input type="checkbox"/> PCD <input type="checkbox"/> PID <input type="checkbox"/> POD <input type="checkbox"/> Lot Split * <input type="checkbox"/> Preliminary Plat * <input type="checkbox"/> Final Plat* or <input type="checkbox"/> Replat * <input type="checkbox"/> Temporary Use Permit *Provide utility company info for projects in Douglas County*
--	--

PROJECT INFORMATION

Existing Use	<input type="checkbox"/> Residential	<input type="checkbox"/> Commercial	<input type="checkbox"/> Industrial	<input type="checkbox"/> Office	<input type="checkbox"/> Agriculture	<input type="checkbox"/> Vacant	<input type="checkbox"/> Other _____
Proposed Use	<input type="checkbox"/> Residential	<input type="checkbox"/> Commercial	<input type="checkbox"/> Industrial	<input type="checkbox"/> Office	<input type="checkbox"/> Agriculture	<input type="checkbox"/> Other _____	

COMPLETE THIS PORTION IF APPLYING FOR SITE PLAN, CONDITIONAL USE PERMIT (CUP), USE PERMITTED UPON REVIEW (UPR), AND PRELIMINARY OR FINAL DEVELOPMENT PLANS (in acres)

Total site area	Current Appraised Value	Existing Building Footprint	Open Space Area
# of Buildings	Estimated Cost of Construction	Proposed Building Footprint	Pavement Coverage

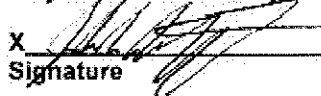
COMPLETE THIS PORTION IF APPLYING FOR A TEMPORARY USE PERMIT (TUPR)

Dates and Times	# Existing Parking Spaces	# Parking Spaces Required for Temporary Activity
-----------------	---------------------------	--

COMPLETE THIS PORTION IF SUBDIVIDING PROPERTY

Proposed Number of Lots	Maximum Lot Size	Minimum Lot Size	Average Lot Size
-------------------------	------------------	------------------	------------------

Property Owner/Agent Consent – I am the legal owner of record of the land specified in this application or am authorized and empowered to act as an agent on behalf of the owner of record on all matters relating to this application. I declare that the foregoing is true and correct and accept that false or inaccurate owner authorization may invalidate or delay action on this application.

X 
Signature _____ Date 1/17/06

Planning Staff Use Only

<input type="checkbox"/> Fee \$ _____	<input type="checkbox"/> Property Owner List
<input type="checkbox"/> Attached Legal Description	<input type="checkbox"/> Site Plans # _____

Downtown Light Pole Radio Installations

In the near future, Lawrence Freenet would like to begin installing radio equipment on the corner light poles in the downtown area. The selected poles for the first phase of the installation are on the corners of 7th & Mass, 8th & Mass, 9th & Mass, 10th & Mass and 11th & Mass. These five installations will make use of the existing light poles and electrical systems. Figure 1 shows a CADD drawing of the suggested installation.

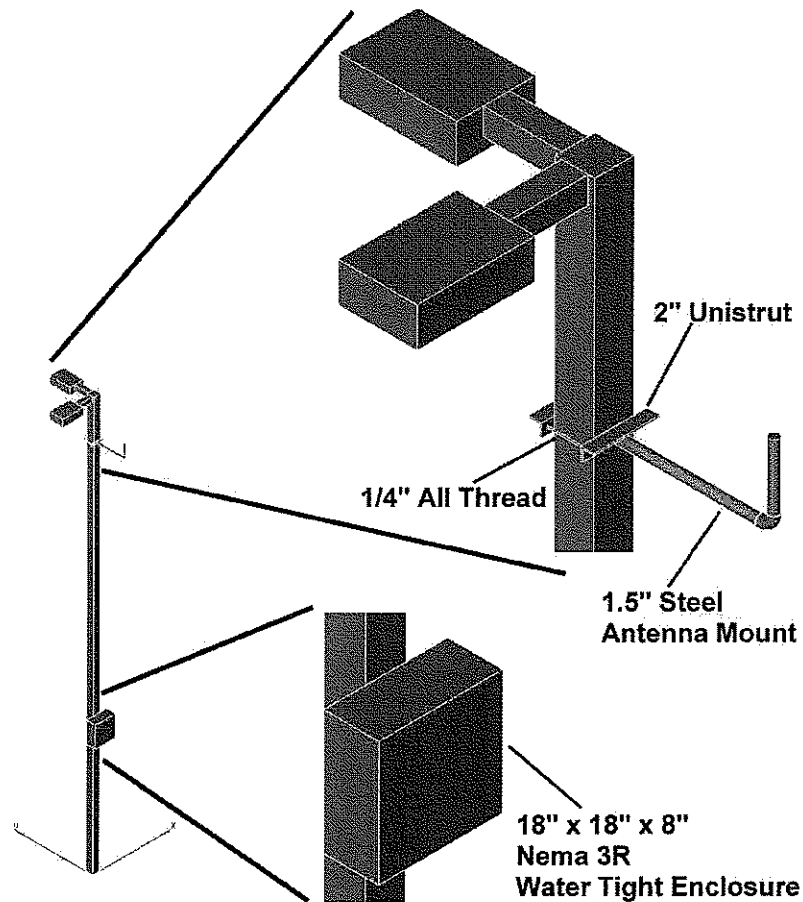


Figure 1 Downtown Pole Install

Since the poles at these locations are not powered during the day, the radio equipment will be fitted with a rechargeable battery, which will charge during the night and discharge during the day.

LawrenceFreenet

A Community Connection

This battery and other supporting electrical equipment will be installed on the light pole in a 18" NEMA 3R enclosure located approximately 10' from the ground. This fits with existing traffic and electrical installations in the downtown area as shown in Figure 2.

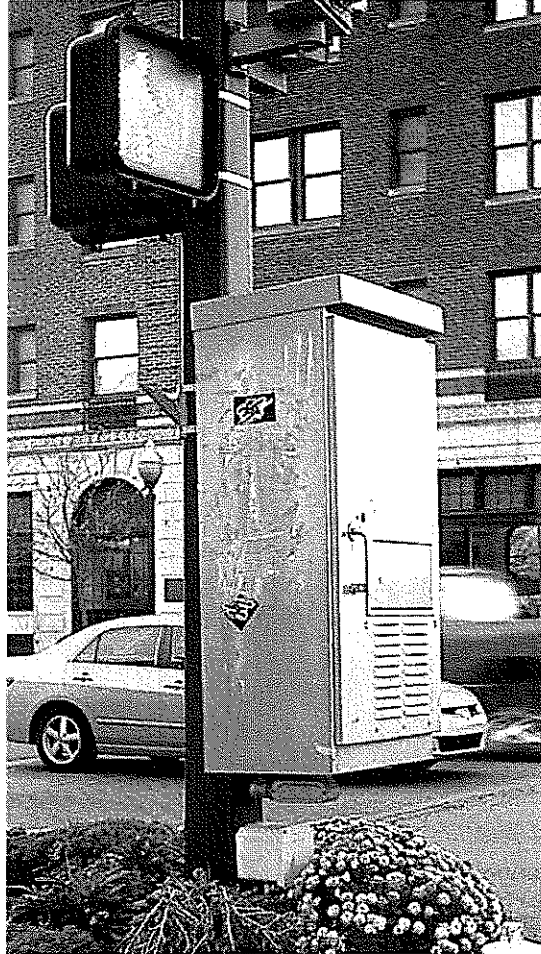


Figure 2 Large Nema Enclosure at 7th & Mass

The electrical equipment will be connected to the existing wiring using taps or other industry standard methods. Figure 3 shows the proposed electrical system layout.

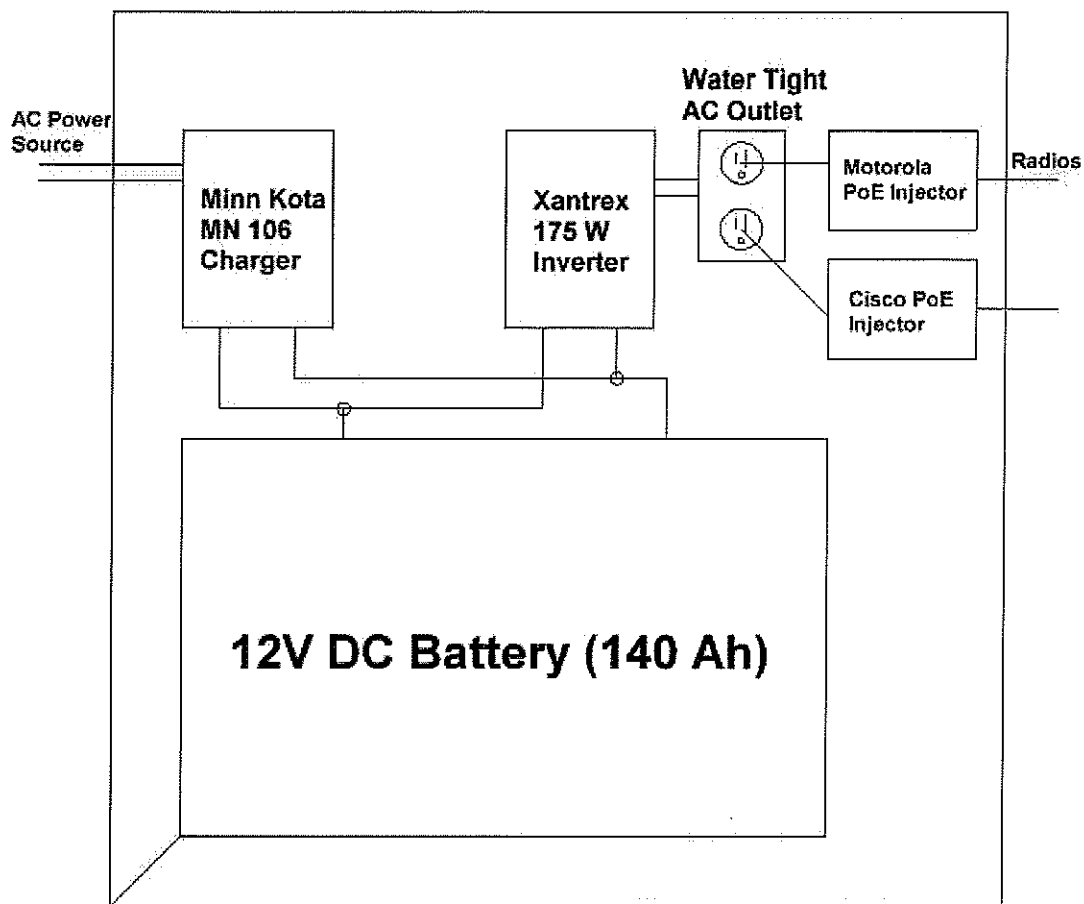
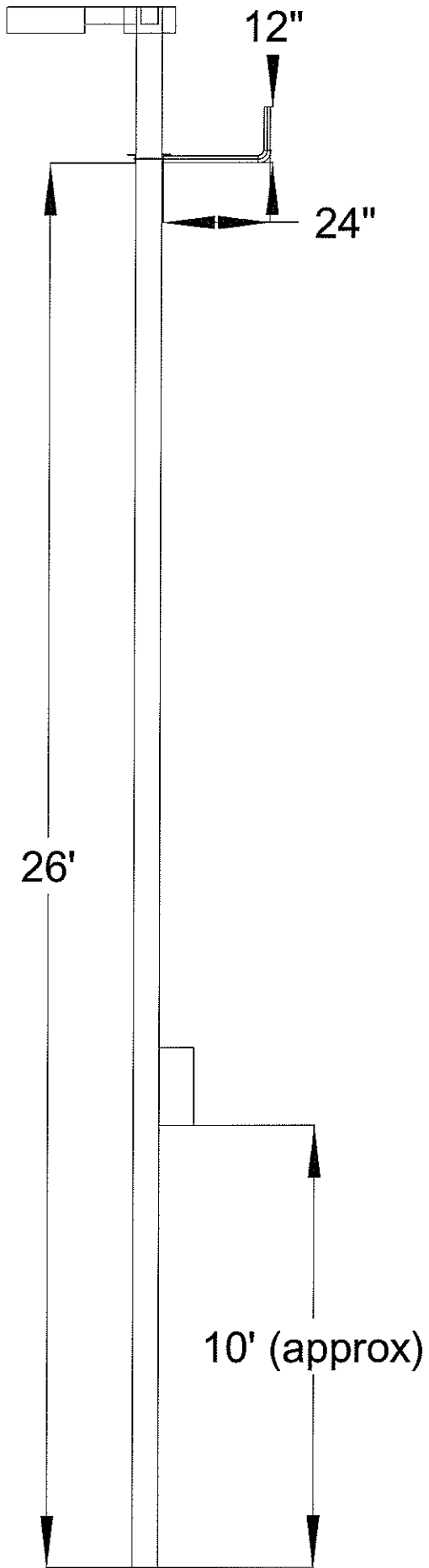


Figure 3 Electrical System Layout

To accommodate the required wiring without impacting the general appearance, all wiring will be resident within the pole. Wiring will be run through 1" pole penetrations which will be sealed upon completion of this installation. If this approach is rejected, wires can be run on the outside of the poles and secured using adjustable metal straps.

We would like to begin installing equipment within the next several weeks and are eager to begin serving Downtown Lawrence.



18"

18"

8"

